

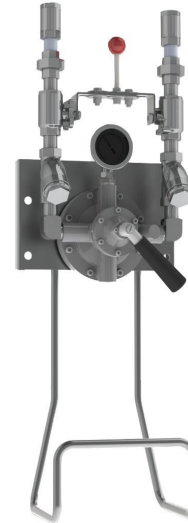


# STEAMIX® Steam & Water Hose Stations & Mixing Units

## Model 2032SS—Stainless Steel

STEAMIX® Model 203SS is a steam/water mixing valve of Type 304 stainless steel construction.

STEAMIX® Model 2032SS is supplied as standard with all stainless steel (SS) integral inlet supply risers comprising 3/4" Y-type strainers and 3/4" ball valves cross-linked by a stainless steel bridge piece and lever for simultaneous on/off control of both inlet supplies. The unit is supplied fully assembled and pressure-tested and installed on a stainless steel hose rack. Stainless Steel dual scale top mount Thermometer and Stainless Steel Inlet Check Valves included.



## Safety Features

- **Steamix 203SS will not pass live steam.** In the event of either a complete failure of the inlet cold-water supply or a reduction in cold-water pressure to below 20 (+/-5) psi (1.4 bar), STEAMIX will respond with a complete shutdown of outlet flow.
- If there is a structural failure of the primary operating component (diaphragm), STEAMIX will "fail safe" to cold water.
- To prevent over-temperature selection by the user and the potential for overheated water and flash steam presentation common with other types of hose stations, STEAMIX is supplied with a single-temperature locking set.

## Technical Specifications

- 3/4" (20 mm) NPT inlets/outlet(s)
- Type 304 stainless steel construction
- Operating pressures
  - Maximum: 150 psi (10 bar)
  - Minimum: 20 psi† (1.4 bar)
- Maximum pressure loss ratio 10:1††
- Inlet check valves included
- Weight: 41 lbs (18.6 kg)

† **IMPORTANT NOTE: Lower steam pressures significantly reduce outlet flow rates.**

†† Ratio of inlet pressures accounting for restrictions on valve outlet (minus back pressure).

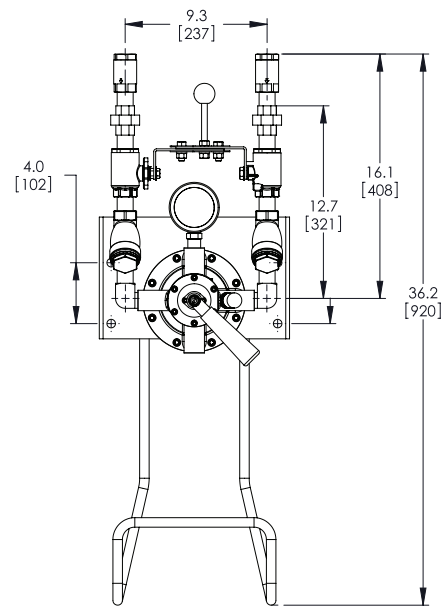
## Flow Rates

The capacity charts indicate STEAMIX 203 flow rates at steam and water pressures commonly available in the average manufacturing plant. The STEAMIX 203 can handle a wide diversity of pressures and temperatures. Three typical outlet temperatures shown in the flow tables were selected to demonstrate the valve's flow rate at:

- A) "User safe" temperature (approx. 120°F - 48°C)
- B) "Hot hose down" temperature (approx. 150/160°F - 65/71°C)
- C) "Common bacteria kill" temperature (approx. 180°F - 82°C)

**NOTE:** All flow rates shown are with open outlet, and a reduction of flow is to be expected depending on the length and diameter of outlet pipework, washdown hose, spray nozzle, etc.

For a fully detailed certified drawing, refer to: **CD #2263**



| A) 55°F (31°C) Temperature Rise  |            |             |             |             |                 |  |
|----------------------------------|------------|-------------|-------------|-------------|-----------------|--|
| Water \ Steam                    | 20 (1.4)   | 45 (3)      | 75 (5)      | 100 (7)     | psi (bar)       |  |
| 22 psi (1.5 bar)                 | 6.9 (26.1) | 10.2 (38.6) | 10.2 (38.6) | 10.2 (38.6) | gal/min (l/min) |  |
| 45 psi (3 bar)                   | 6.9 (26.1) | 13.2 (49.9) | 13.2 (49.9) | 13.2 (49.9) | gal/min (l/min) |  |
| 60 psi (4 bar)                   | 6.9 (26.1) | 13.8 (52.2) | 15.7 (59.4) | 15.7 (59.4) | gal/min (l/min) |  |
| B) 100°F (56°C) Temperature Rise |            |             |             |             |                 |  |
| Water \ Steam                    | 20 (1.4)   | 45 (3)      | 75 (5)      | 100 (7)     | psi (bar)       |  |
| 22 psi (1.5 bar)                 | 3.6 (13.6) | 6.9 (26.1)  | 8.3 (31.4)  | 8.5 (32.1)  | gal/min (l/min) |  |
| 45 psi (3 bar)                   | 3.6 (13.6) | 6.9 (26.1)  | 9.4 (35.5)  | 9.9 (37.4)  | gal/min (l/min) |  |
| 60 psi (4 bar)                   | 3.6 (13.6) | 6.9 (26.1)  | 9.4 (35.5)  | 10.5 (39.7) | gal/min (l/min) |  |
| C) 135°F (75°C) Temperature Rise |            |             |             |             |                 |  |
| Water \ Steam                    | 20 (1.4)   | 45 (3)      | 75 (5)      | 100 (7)     | psi (bar)       |  |
| 22 psi (1.5 bar)                 | 2.5 (9.4)  | 5.0 (18.9)  | 6.6 (24.9)  | 7.2 (27.2)  | gal/min (l/min) |  |
| 45 psi (3 bar)                   | 2.5 (9.4)  | 5.0 (18.9)  | 7.2 (27.2)  | 8.0 (30.2)  | gal/min (l/min) |  |
| 60 psi (4 bar)                   | 2.5 (9.4)  | 5.0 (18.9)  | 7.2 (27.2)  | 8.0 (30.2)  | gal/min (l/min) |  |

**All dimensions and weights are approximate. Use certified print for exact dimensions. Design and materials are subject to change without notice.**